

# STARPOWER

SEMICONDUCTOR

**IGBT**

## GD2400SGY120C3SN

**1200V/2400A 1 in one-package**

### General Description

STARPOWER IGBT Power Module provides ultrafast switching speed as well as short circuit ruggedness.

It's designed for the applications such as general inverters and UPS.

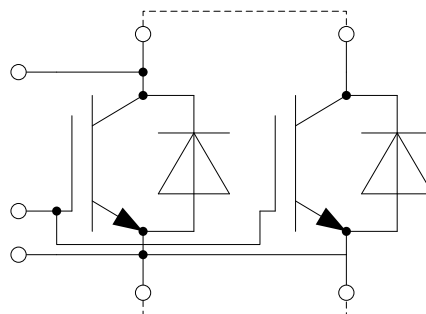
### Features

- Low  $V_{CE(sat)}$  Trench IGBT technology
- 10 $\mu$ s short circuit capability
- $V_{CE(sat)}$  with positive temperature coefficient
- Maximum junction temperature 175°C
- Low inductance case
- Fast & soft reverse recovery anti-parallel FWD
- Isolated copper baseplate using DBC technology

### Typical Applications

- Inverter for motor drive
- AC and DC servo drive amplifier
- Uninterruptible power supply

### Equivalent Circuit Schematic



**Absolute Maximum Ratings**  $T_C=25^{\circ}\text{C}$  unless otherwise noted**IGBT**

Symbol	Description	Value	Unit
$V_{CES}$	Collector-Emitter Voltage	1200	V
$V_{GES}$	Gate-Emitter Voltage	$\pm 20$	V
$I_C$	Collector Current @ $T_C=25^{\circ}\text{C}$ @ $T_C=100^{\circ}\text{C}$	3720 2400	A
$I_{CM}$	Pulsed Collector Current $t_p=1\text{ms}$	4800	A
$P_D$	Maximum Power Dissipation @ $T_{vj}=175^{\circ}\text{C}$	12.09	kW

**Diode**

Symbol	Description	Value	Unit
$V_{RRM}$	Repetitive Peak Reverse Voltage	1200	V
$I_F$	Diode Continuous Forward Current	2400	A
$I_{FM}$	Diode Maximum Forward Current $t_p=1\text{ms}$	4800	A

**Module**

Symbol	Description	Value	Unit
$T_{vjmax}$	Maximum Junction Temperature	175	$^{\circ}\text{C}$
$T_{vjop}$	Operating Junction Temperature	-40 to +150	$^{\circ}\text{C}$
$T_{STG}$	Storage Temperature Range	-40 to +125	$^{\circ}\text{C}$
$V_{ISO}$	Isolation Voltage RMS, $f=50\text{Hz}, t=1\text{min}$	4000	V

**IGBT Characteristics**  $T_c=25^\circ\text{C}$  unless otherwise noted

Symbol	Parameter	Test Conditions	Min.	Typ.	Max.	Unit	
$V_{CE(sat)}$	Collector to Emitter Saturation Voltage	$I_C=2400\text{A}, V_{GE}=15\text{V}, T_{vj}=25^\circ\text{C}$		1.70	2.15	V	
		$I_C=2400\text{A}, V_{GE}=15\text{V}, T_{vj}=125^\circ\text{C}$		1.95			
		$I_C=2400\text{A}, V_{GE}=15\text{V}, T_{vj}=150^\circ\text{C}$		2.00			
$V_{GE(th)}$	Gate-Emitter Threshold Voltage	$I_C=60.0\text{mA}, V_{CE}=V_{GE}, T_{vj}=25^\circ\text{C}$	5.2	6.0	6.8	V	
$I_{CES}$	Collector Cut-Off Current	$V_{CE}=V_{CES}, V_{GE}=0\text{V}, T_{vj}=25^\circ\text{C}$			1.0	mA	
$I_{GES}$	Gate-Emitter Leakage Current	$V_{GE}=V_{GES}, V_{CE}=0\text{V}, T_{vj}=25^\circ\text{C}$			400	nA	
$R_{Gint}$	Internal Gate Resistance			0.88		$\Omega$	
$C_{ies}$	Input Capacitance	$V_{CE}=25\text{V}, f=1\text{MHz}, V_{GE}=0\text{V}$		248		nF	
$C_{res}$	Reverse Transfer Capacitance			6.96		nF	
$Q_G$	Gate Charge	$V_{GE}=-15\dots+15\text{V}$		18.6		$\mu\text{C}$	
$t_{d(on)}$	Turn-On Delay Time	$V_{CC}=600\text{V}, I_C=2400\text{A}, R_{Gon}=0.5\Omega, R_{Goff}=1.5\Omega, V_{GE}=-10/+15\text{V}, T_{vj}=25^\circ\text{C}$		631		ns	
$t_r$	Rise Time			238		ns	
$t_{d(off)}$	Turn-Off Delay Time			1490		ns	
$t_f$	Fall Time			156		ns	
$E_{on}$	Turn-On Switching Loss			391		mJ	
$E_{off}$	Turn-Off Switching Loss			434		mJ	
$t_{d(on)}$	Turn-On Delay Time		$V_{CC}=600\text{V}, I_C=2400\text{A}, R_{Gon}=0.5\Omega, R_{Goff}=1.5\Omega, V_{GE}=-10/+15\text{V}, T_{vj}=125^\circ\text{C}$		858		ns
$t_r$	Rise Time				337		ns
$t_{d(off)}$	Turn-Off Delay Time				1957		ns
$t_f$	Fall Time				177		ns
$E_{on}$	Turn-On Switching Loss			935		mJ	
$E_{off}$	Turn-Off Switching Loss			551		mJ	
$t_{d(on)}$	Turn-On Delay Time	$V_{CC}=600\text{V}, I_C=2400\text{A}, R_{Gon}=0.5\Omega, R_{Goff}=1.5\Omega, V_{GE}=-10/+15\text{V}, T_{vj}=150^\circ\text{C}$			928		ns
$t_r$	Rise Time				352		ns
$t_{d(off)}$	Turn-Off Delay Time				2071		ns
$t_f$	Fall Time				194		ns
$E_{on}$	Turn-On Switching Loss			1066		mJ	
$E_{off}$	Turn-Off Switching Loss			572		mJ	
$I_{SC}$	SC Data		$t_p \leq 10\mu\text{s}, V_{GE}=15\text{V}, T_{vj}=150^\circ\text{C}, V_{CC}=800\text{V}, V_{CEM} \leq 1200\text{V}$		9600		A

**Diode Characteristics**  $T_c=25^\circ\text{C}$  unless otherwise noted

Symbol	Parameter	Test Conditions	Min.	Typ.	Max.	Unit
$V_F$	Diode Forward Voltage	$I_F=2400\text{A}, V_{GE}=0\text{V}, T_{vj}=25^\circ\text{C}$		1.60	2.05	V
		$I_F=2400\text{A}, V_{GE}=0\text{V}, T_{vj}=125^\circ\text{C}$		1.70		
		$I_F=2400\text{A}, V_{GE}=0\text{V}, T_{vj}=150^\circ\text{C}$		1.70		
$Q_r$	Recovered Charge	$V_R=600\text{V}, I_F=2400\text{A},$ $-di/dt=9000\text{A}/\mu\text{s}, V_{GE}=-10\text{V},$ $T_{vj}=25^\circ\text{C}$		179		$\mu\text{C}$
$I_{RM}$	Peak Reverse Recovery Current			916		A
$E_{rec}$	Reverse Recovery Energy			62		mJ
$Q_r$	Recovered Charge	$V_R=600\text{V}, I_F=2400\text{A},$ $-di/dt=5900\text{A}/\mu\text{s}, V_{GE}=-10\text{V},$ $T_{vj}=125^\circ\text{C}$		281		$\mu\text{C}$
$I_{RM}$	Peak Reverse Recovery Current			808		A
$E_{rec}$	Reverse Recovery Energy			75		mJ
$Q_r$	Recovered Charge	$V_R=600\text{V}, I_F=2400\text{A},$ $-di/dt=5300\text{A}/\mu\text{s}, V_{GE}=-10\text{V},$ $T_{vj}=150^\circ\text{C}$		326		$\mu\text{C}$
$I_{RM}$	Peak Reverse Recovery Current			809		A
$E_{rec}$	Reverse Recovery Energy			82		mJ

**Module Characteristics**  $T_c=25^\circ\text{C}$  unless otherwise noted

Symbol	Parameter	Min.	Typ.	Max.	Unit
$L_{CE}$	Stray Inductance		9		nH
$R_{CC'+EE'}$	Module Lead Resistance, Terminal to Chip		0.18		m $\Omega$
$R_{thJC}$	Junction-to-Case (per IGBT)			12.4	K/kW
	Junction-to-Case (per Diode)			21.2	
$R_{thCH}$	Case-to-Heatsink (per IGBT)		9.6		K/kW
	Case-to-Heatsink (per Diode)		16.3		
	Case-to-Heatsink (per Module)		6.0		
M	Terminal Connection Torque, Screw M4	1.8		2.1	N.m
	Terminal Connection Torque, Screw M8	8.0		10	
	Mounting Torque, Screw M6	4.25		5.75	
G	Weight of Module		1300		g

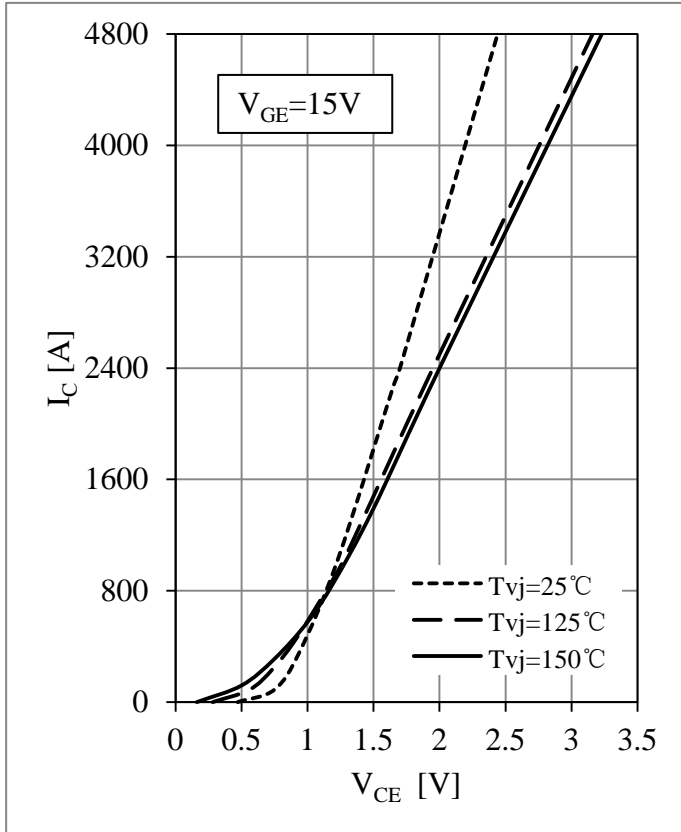


Fig 1. IGBT Output Characteristics

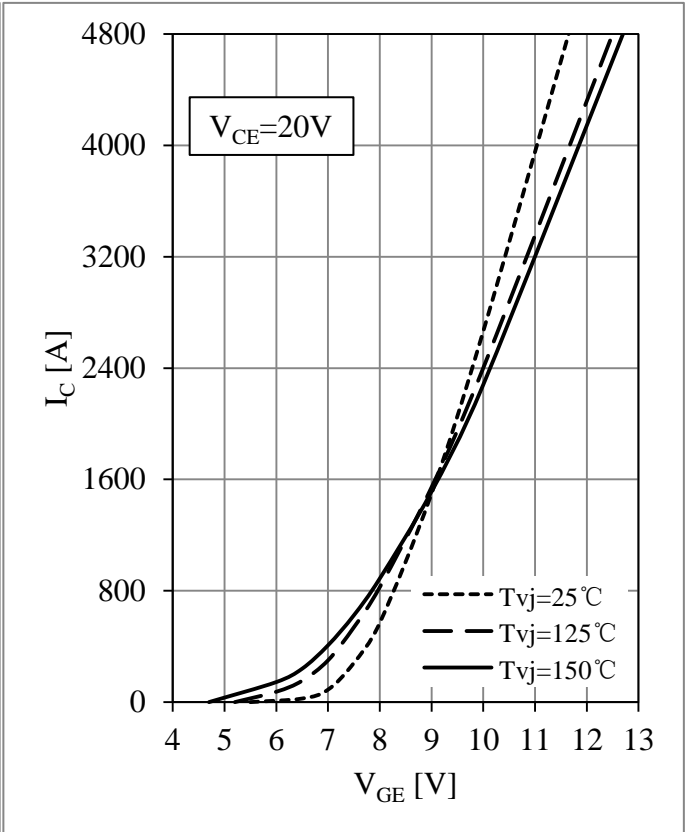


Fig 2. IGBT Transfer Characteristics

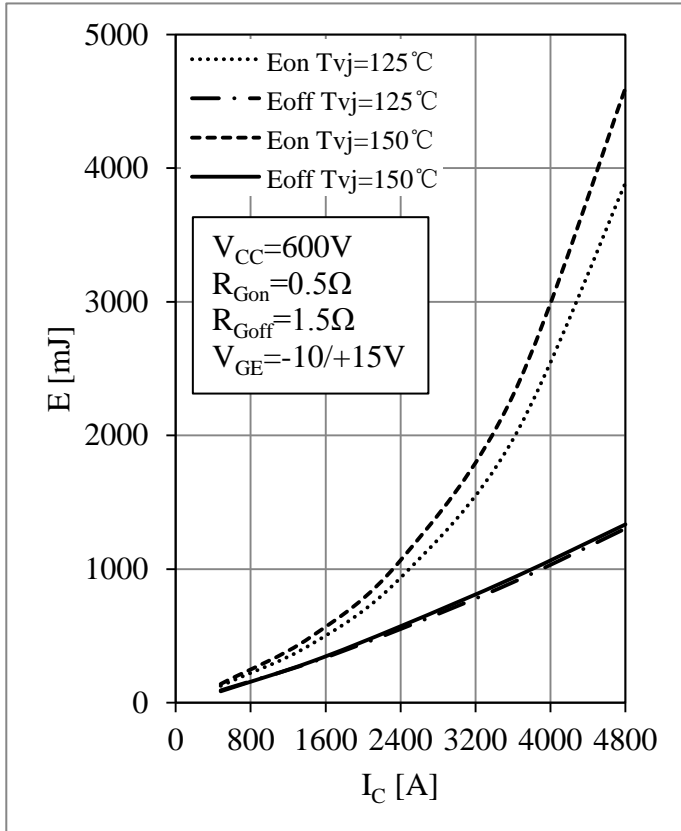


Fig 3. IGBT Switching Loss vs.  $I_C$

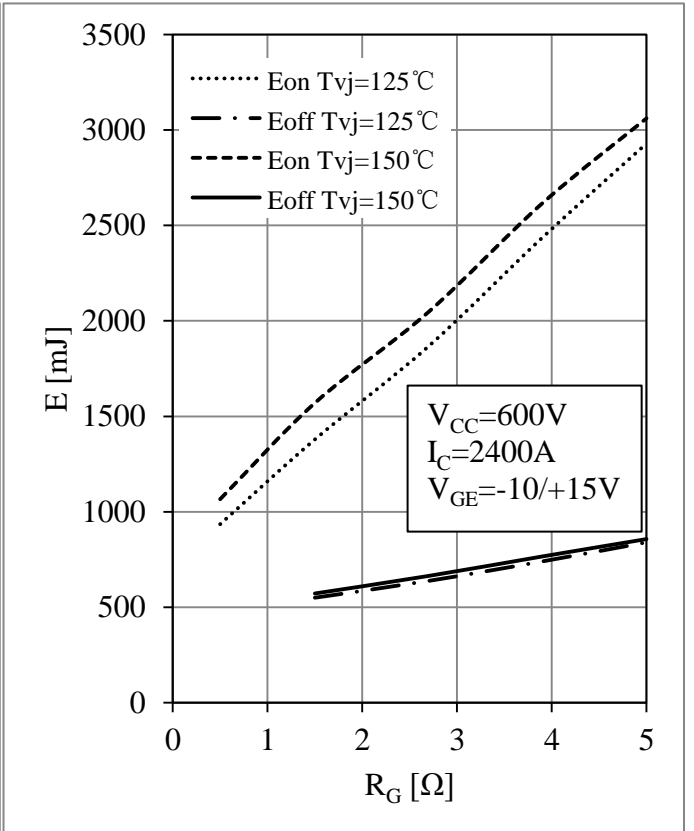


Fig 4. IGBT Switching Loss vs.  $R_G$

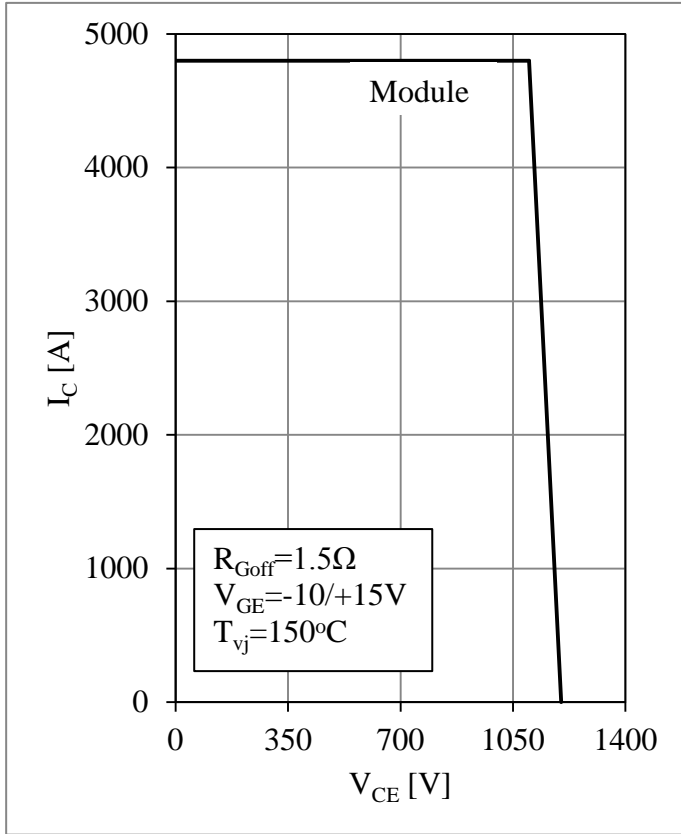


Fig 5. RBSOA

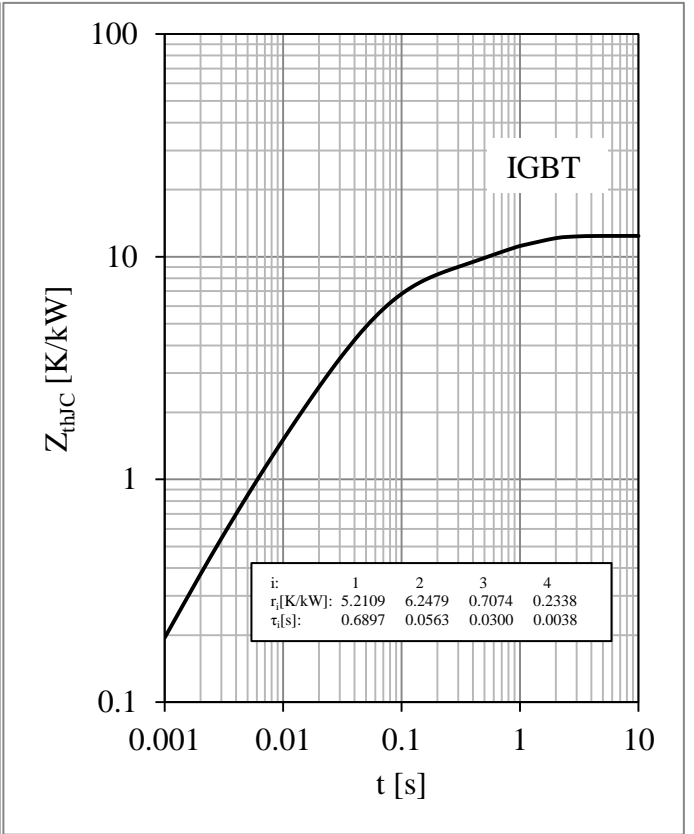


Fig 6. IGBT Transient Thermal Impedance

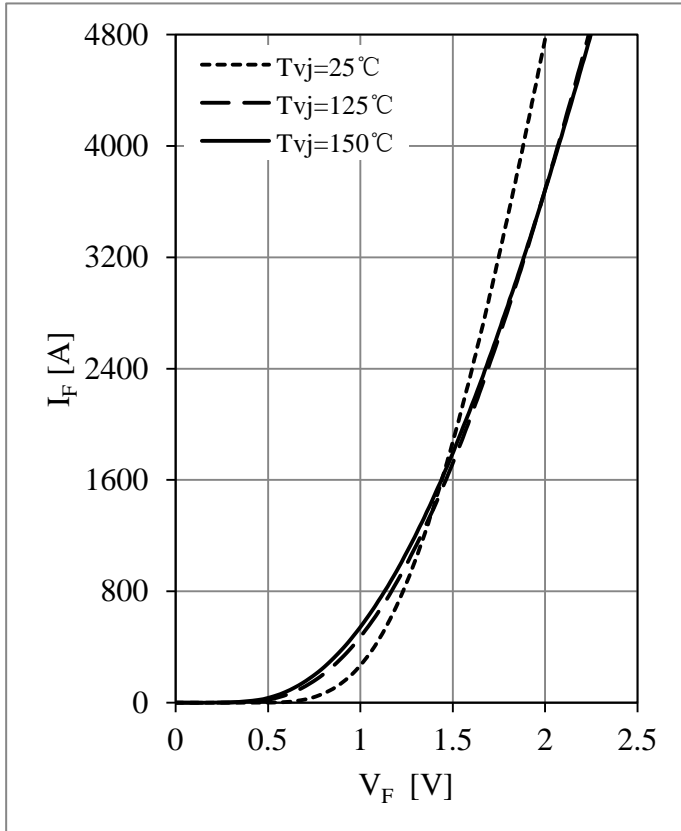


Fig 7. Diode Forward Characteristics

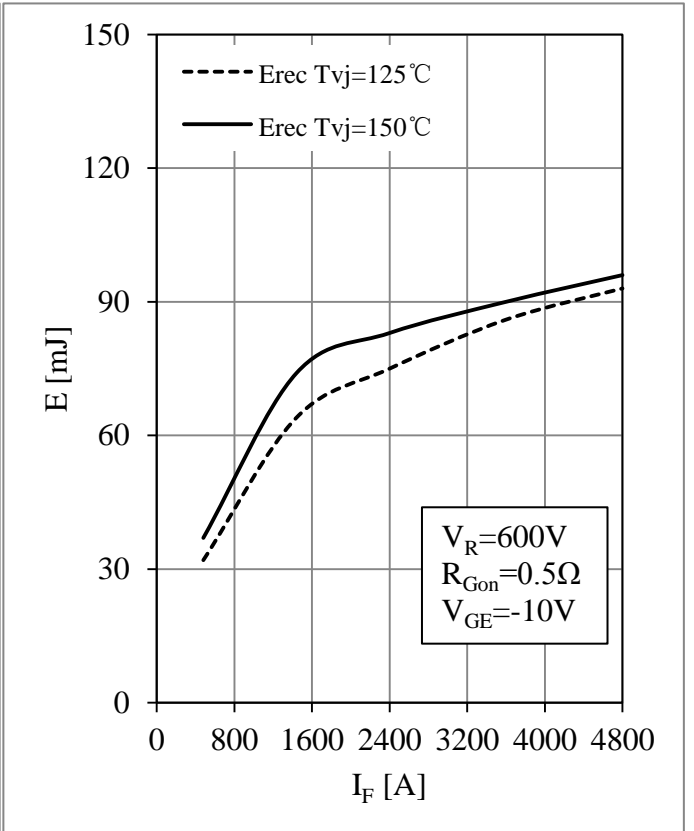


Fig 8. Diode Switching Loss vs.  $I_F$

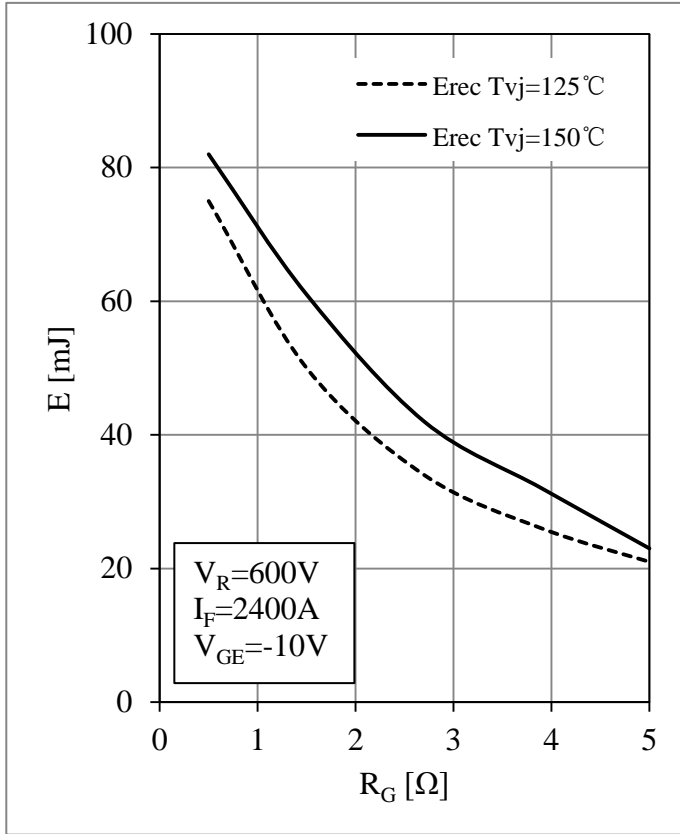


Fig 9. Diode Switching Loss vs.  $R_G$

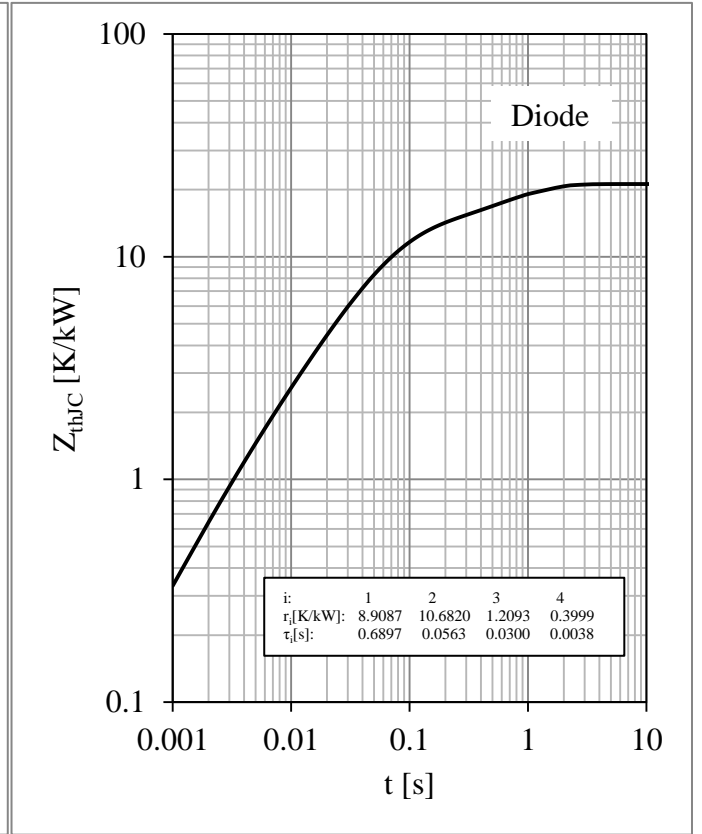
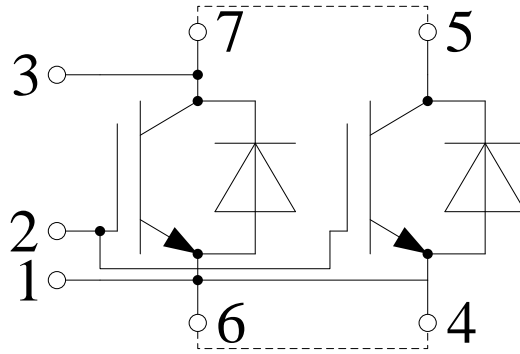


Fig 10. Diode Transient Thermal Impedance

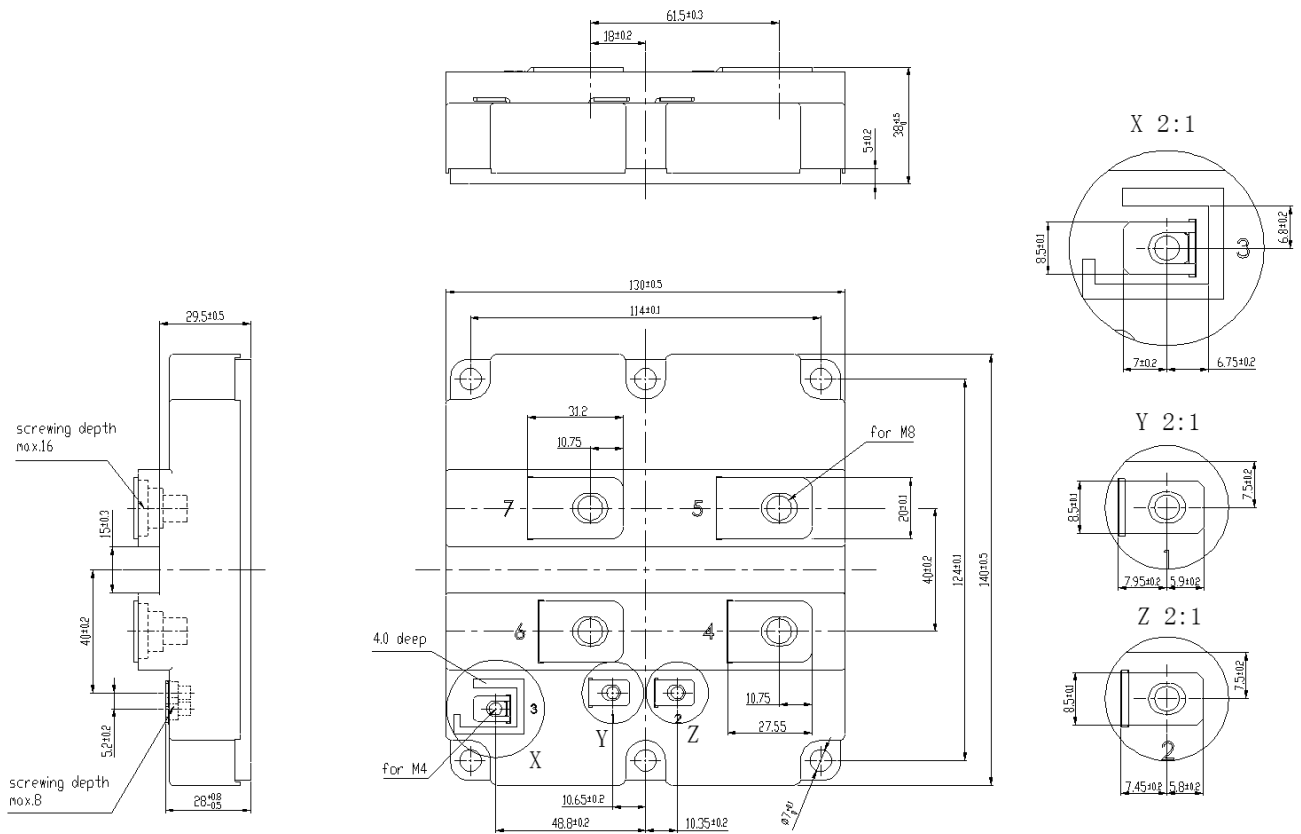
**Circuit Schematic**



external connection (to be done)

**Package Dimensions**

Dimensions in Millimeters





## Terms and Conditions of Usage

The data contained in this product datasheet is exclusively intended for technically trained staff. you and your technical departments will have to evaluate the suitability of the product for the intended application and the completeness of the product data with respect to such application.

This product data sheet is describing the characteristics of this product for which a warranty is granted. Any such warranty is granted exclusively pursuant the terms and conditions of the supply agreement. There will be no guarantee of any kind for the product and its characteristics.

Should you require product information in excess of the data given in this product data sheet or which concerns the specific application of our product, please contact the sales office, which is responsible for you (see [www.powersemi.cc](http://www.powersemi.cc)), For those that are specifically interested we may provide application notes.

Due to technical requirements our product may contain dangerous substances. For information on the types in question please contact the sales office, which is responsible for you.

Should you intend to use the Product in aviation applications, in health or live endangering or life support applications, please notify.

If and to the extent necessary, please forward equivalent notices to your customers.  
Changes of this product data sheet are reserved.