

STARPOWER

SEMICONDUCTOR

IGBT

GD950HTA75P6HFT

750V/950A 6 in one-package

General Description

STARPOWER IGBT Power Module provides ultra low conduction loss as well as short circuit ruggedness. They are designed for the applications such as hybrid and electric vehicle.

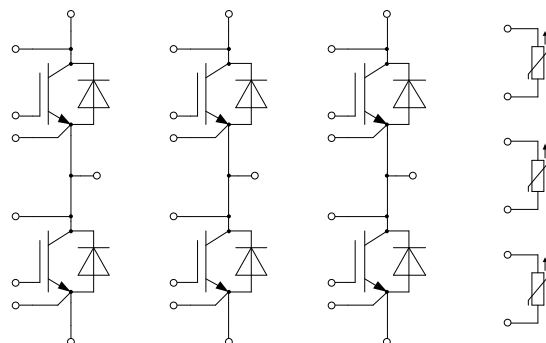
Features

- Low $V_{CE(sat)}$ Trench IGBT technology
- Low switching losses
- 6 μ s short circuit capability
- $V_{CE(sat)}$ with positive temperature coefficient
- Maximum junction temperature 175°C
- Low inductance case
- Fast & soft reverse recovery anti-parallel FWD
- Isolated copper pinfin baseplate using Si₃N₄ AMB technology

Typical Applications

- Automotive application
- Hybrid and electric vehicle
- Inverter for motor drive

Equivalent Circuit Schematic



Absolute Maximum Ratings $T_F=25^{\circ}\text{C}$ unless otherwise noted**IGBT**

Symbol	Description	Values	Unit
V_{CES}	Collector-Emitter Voltage	750	V
V_{GES}	Gate-Emitter Voltage	± 20	V
I_{CN}	Implemented Collector Current	950	A
I_C	Collector Current @ $T_F=120^{\circ}\text{C}$	450	A
I_{CM}	Pulsed Collector Current $t_p=1\text{ms}$	1900	A
P_D	Maximum Power Dissipation @ $T_F=75^{\circ}\text{C}$ $T_j=175^{\circ}\text{C}$	1162	W

Diode

Symbol	Description	Values	Unit
V_{RRM}	Repetitive Peak Reverse Voltage	750	V
I_{FN}	Implemented Collector Current	950	A
I_F	Diode Continuous Forward Current	450	A
I_{FM}	Diode Maximum Forward Current $t_p=1\text{ms}$	1900	A

Module

Symbol	Description	Value	Unit
T_{jmax}	Maximum Junction Temperature	175	$^{\circ}\text{C}$
T_{jop}	Operating Junction Temperature continuous For 10s within a period of 30s, occurrence maximum 3000 times over lifetime	-40 to +150 +150 to +175	$^{\circ}\text{C}$
T_{STG}	Storage Temperature Range	-40 to +125	$^{\circ}\text{C}$
V_{ISO}	Isolation Voltage RMS, $f=50\text{Hz}$, $t=1\text{min}$	2500	V

IGBT Characteristics $T_F=25^\circ\text{C}$ unless otherwise noted

Symbol	Parameter	Test Conditions	Min.	Typ.	Max.	Unit
$V_{CE(sat)}$	Collector to Emitter Saturation Voltage	$I_C=450\text{A}, V_{GE}=15\text{V}, T_j=25^\circ\text{C}$		1.10	1.35	V
		$I_C=450\text{A}, V_{GE}=15\text{V}, T_j=150^\circ\text{C}$		1.15		
		$I_C=450\text{A}, V_{GE}=15\text{V}, T_j=175^\circ\text{C}$		1.15		
		$I_C=950\text{A}, V_{GE}=15\text{V}, T_j=25^\circ\text{C}$		1.40		
		$I_C=950\text{A}, V_{GE}=15\text{V}, T_j=175^\circ\text{C}$		1.65		
$V_{GE(th)}$	Gate-Emitter Threshold Voltage	$I_C=12.9\text{mA}, V_{CE}=V_{GE}, T_j=25^\circ\text{C}$	5.5	6.5	7.0	V
I_{CES}	Collector Cut-Off Current	$V_{CE}=V_{CES}, V_{GE}=0\text{V}, T_j=25^\circ\text{C}$			1.0	mA
I_{GES}	Gate-Emitter Leakage Current	$V_{GE}=V_{GES}, V_{CE}=0\text{V}, T_j=25^\circ\text{C}$			400	nA
R_{Gint}	Internal Gate Resistance			1.0		Ω
C_{ies}	Input Capacitance			72.3		nF
C_{oes}	Output Capacitance	$V_{CE}=50\text{V}, f=100\text{kHz}, V_{GE}=0\text{V}$		1.51		nF
C_{res}	Reverse Transfer Capacitance	$V_{GE}=0\text{V}$		0.32		nF
Q_G	Gate Charge	$V_{CE}=400\text{V}, I_C=450\text{A}, V_{GE}=-15\dots+15\text{V}$		4.77		μC
$t_{d(on)}$	Turn-On Delay Time	$V_{CC}=400\text{V}, I_C=450\text{A}, R_G=2.4\Omega, V_{GE}=-8\text{V}/+15\text{V}, L_S=24\text{nH}, T_j=25^\circ\text{C}$		315		ns
t_r	Rise Time			61		ns
$t_{d(off)}$	Turn-Off Delay Time			729		ns
t_f	Fall Time			70		ns
E_{on}	Turn-On Switching Loss				12.4	
E_{off}	Turn-Off Switching Loss			18.3		mJ
$t_{d(on)}$	Turn-On Delay Time	$V_{CC}=400\text{V}, I_C=450\text{A}, R_G=2.4\Omega, V_{GE}=-8\text{V}/+15\text{V}, L_S=24\text{nH}, T_j=150^\circ\text{C}$		338		ns
t_r	Rise Time			74		ns
$t_{d(off)}$	Turn-Off Delay Time			826		ns
t_f	Fall Time			151		ns
E_{on}	Turn-On Switching Loss				20.7	
E_{off}	Turn-Off Switching Loss			25.3		mJ
$t_{d(on)}$	Turn-On Delay Time	$V_{CC}=400\text{V}, I_C=450\text{A}, R_G=2.4\Omega, V_{GE}=-8\text{V}/+15\text{V}, L_S=24\text{nH}, T_j=175^\circ\text{C}$		343		ns
t_r	Rise Time			77		ns
$t_{d(off)}$	Turn-Off Delay Time			846		ns
t_f	Fall Time			171		ns
E_{on}	Turn-On Switching Loss				25.0	
E_{off}	Turn-Off Switching Loss			27.3		mJ
I_{SC}	SC Data	$t_p \leq 6\mu\text{s}, V_{GE}=15\text{V}, T_j=25^\circ\text{C}, V_{CC}=400\text{V}, V_{CEM} \leq 750\text{V}$		4500		A

		$t_p \leq 3\mu s, V_{GE}=15V,$ $T_j=175^\circ C, V_{CC}=400V,$ $V_{CEM} \leq 750V$		3300		
--	--	--	--	------	--	--

Diode Characteristics $T_F=25^\circ C$ unless otherwise noted

Symbol	Parameter	Test Conditions	Min.	Typ.	Max.	Unit
V_F	Diode Forward Voltage	$I_F=450A, V_{GE}=0V, T_j=25^\circ C$		1.40	1.65	V
		$I_F=450A, V_{GE}=0V, T_j=150^\circ C$		1.35		
		$I_F=450A, V_{GE}=0V, T_j=175^\circ C$		1.30		
		$I_F=950A, V_{GE}=0V, T_j=25^\circ C$		1.75		
		$I_F=950A, V_{GE}=0V, T_j=175^\circ C$		1.75		
Q_r	Recovered Charge			10.1		μC
I_{RM}	Peak Reverse Recovery Current	$V_R=400V, I_F=450A,$ $-di/dt=7760A/\mu s, V_{GE}=-8V$		287		A
E_{rec}	Reverse Recovery Energy	$L_S=24nH, T_j=25^\circ C$		4.83		mJ
Q_r	Recovered Charge			25.6		μC
I_{RM}	Peak Reverse Recovery Current	$V_R=400V, I_F=450A,$ $-di/dt=6300A/\mu s, V_{GE}=-8V$		341		A
E_{rec}	Reverse Recovery Energy	$L_S=24nH, T_j=150^\circ C$		9.32		mJ
Q_r	Recovered Charge			30.4		μC
I_{RM}	Peak Reverse Recovery Current	$V_R=400V, I_F=450A,$ $-di/dt=5990A/\mu s, V_{GE}=-8V$		354		A
E_{rec}	Reverse Recovery Energy	$L_S=24nH, T_j=175^\circ C$		10.6		mJ

NTC Characteristics $T_F=25^\circ C$ unless otherwise noted

Symbol	Parameter	Test Conditions	Min.	Typ.	Max.	Unit
R_{25}	Rated Resistance			5.0		k Ω
$\Delta R/R$	Deviation of R_{100}	$T_C=100^\circ C, R_{100}=493.3\Omega$	-5		5	%
P_{25}	Power Dissipation				20.0	mW
$B_{25/50}$	B-value	$R_2=R_{25}\exp[B_{25/50}(1/T_2-1/(298.15K))]$		3375		K
$B_{25/80}$	B-value	$R_2=R_{25}\exp[B_{25/80}(1/T_2-1/(298.15K))]$		3411		K
$B_{25/100}$	B-value	$R_2=R_{25}\exp[B_{25/100}(1/T_2-1/(298.15K))]$		3433		K

Module Characteristics $T_F=25^{\circ}\text{C}$ unless otherwise noted

Symbol	Parameter	Min.	Typ.	Max.	Unit
L_{CE}	Stray Inductance		8		nH
$R_{CC'+EE'}$	Module Lead Resistance, Terminal to Chip		0.75		m Ω
p	Maximum Pressure In Cooling Circuit $T_{\text{baseplate}} < 40^{\circ}\text{C}$ $T_{\text{baseplate}} > 40^{\circ}\text{C}$ (relative pressure)			2.5 2.0	bar
R_{thJF}	Junction-to-Cooling Fluid (per IGBT) Junction-to-Cooling Fluid (per Diode) $\Delta V/\Delta t=10.0\text{dm}^3/\text{min}, T_F=75^{\circ}\text{C}$		0.075 0.118	0.086 0.136	K/W
M	Terminal Connection Torque, Screw M5 Mounting Torque, Screw M4	3.6 1.8		4.4 2.2	N.m
G	Weight of Module		750		g

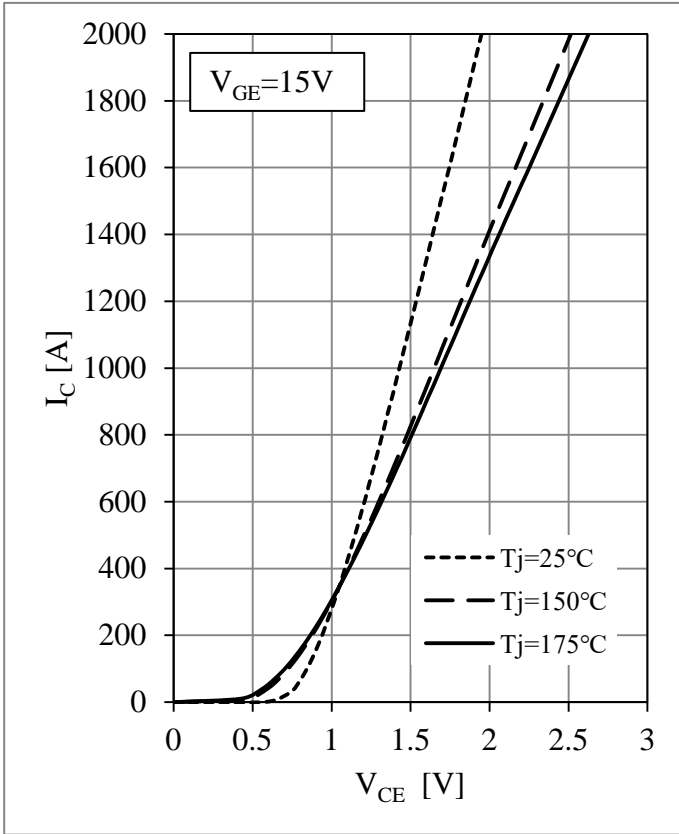


Fig 1. IGBT Output Characteristics

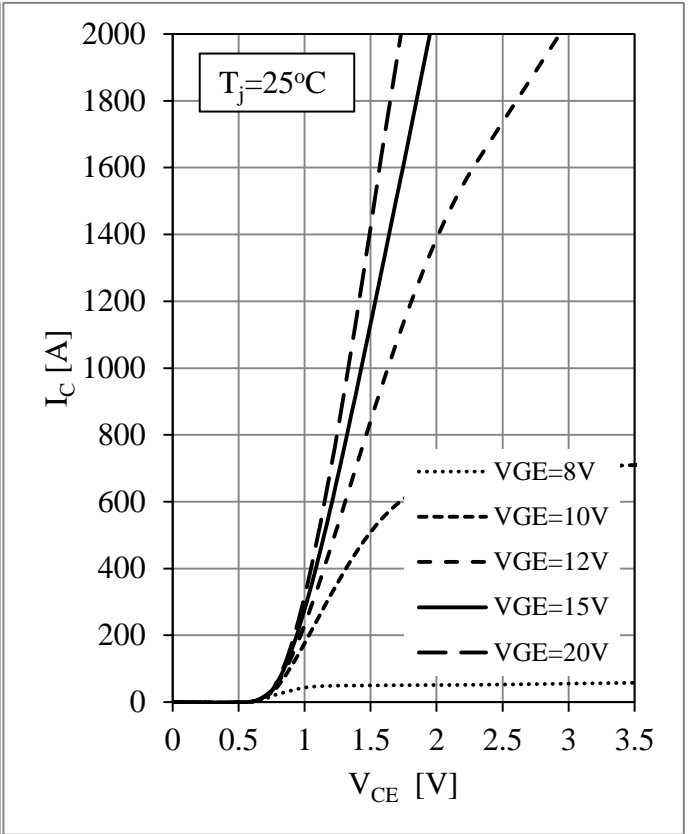


Fig 2. IGBT Output Characteristics

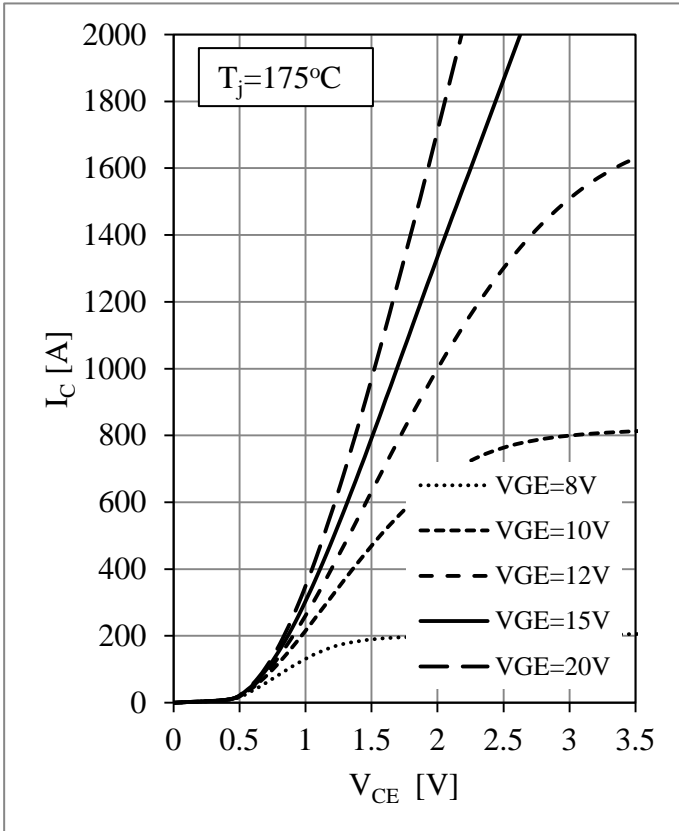


Fig 3. IGBT Output Characteristics

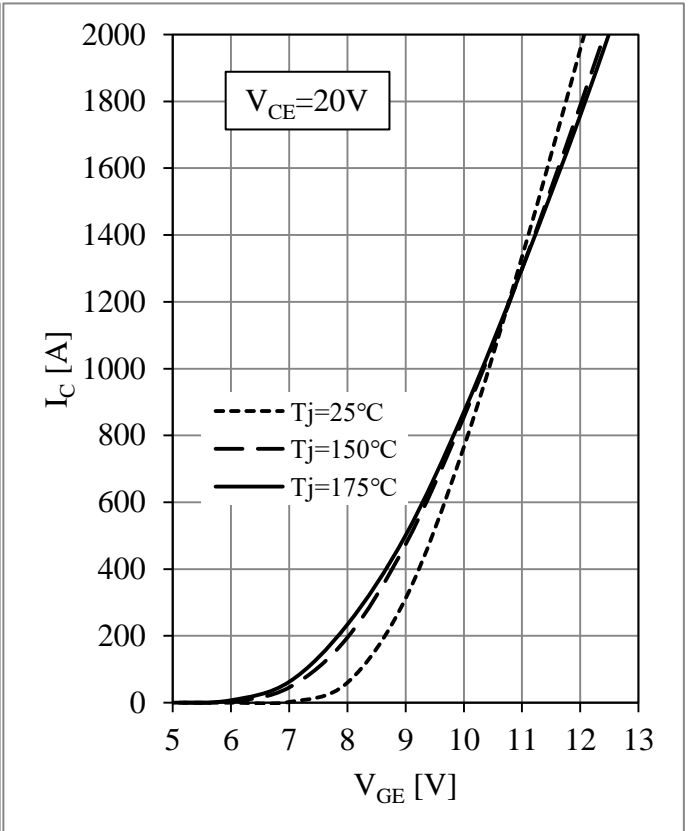


Fig 4. IGBT Transfer Characteristics

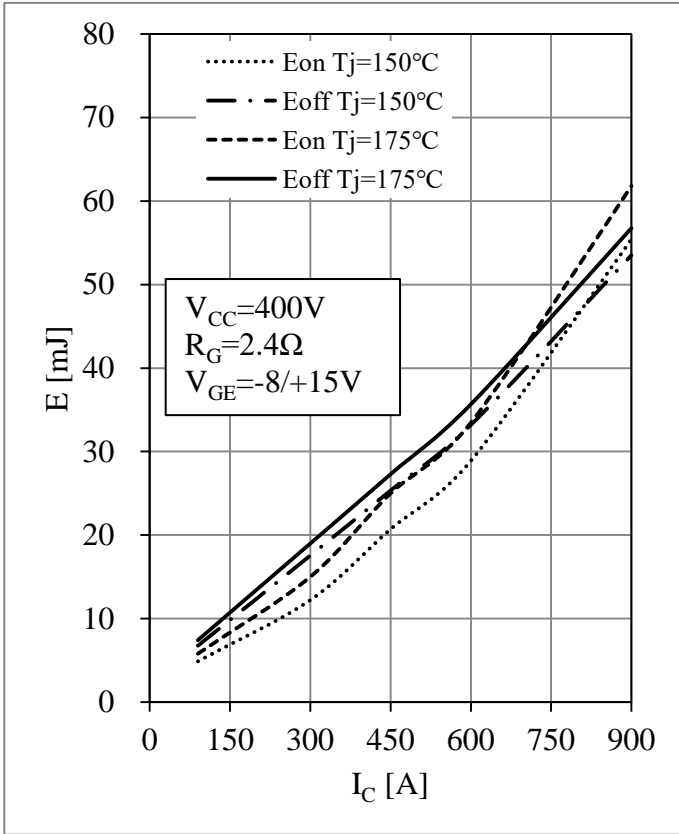


Fig 5. IGBT Switching Loss vs. I_C

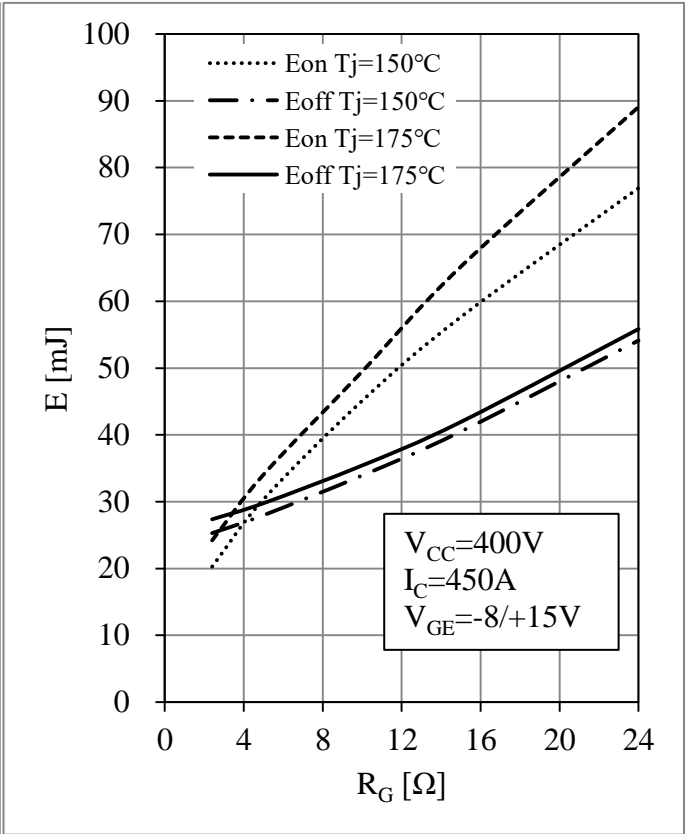


Fig 6. IGBT Switching Loss vs. R_G

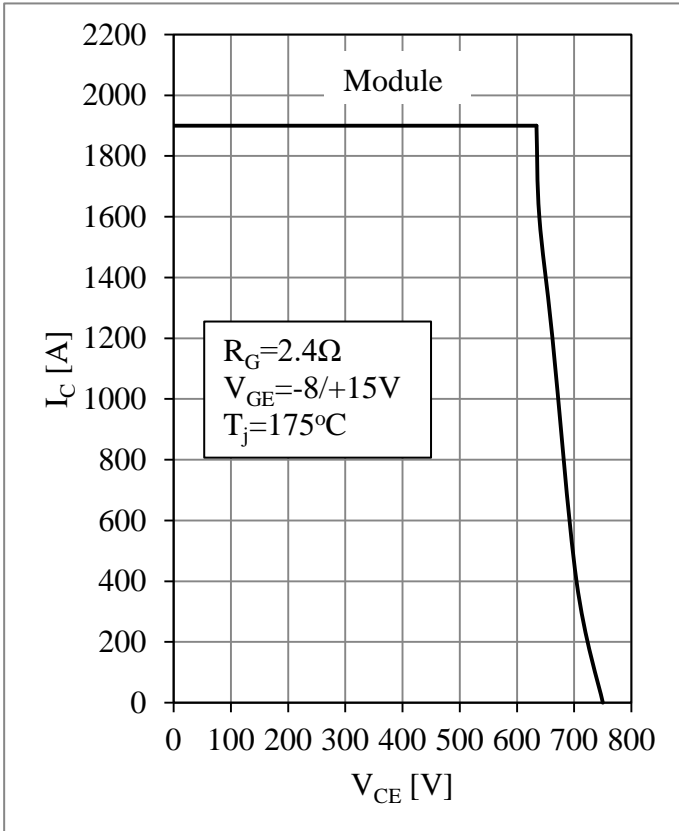


Fig 7. RBSOA

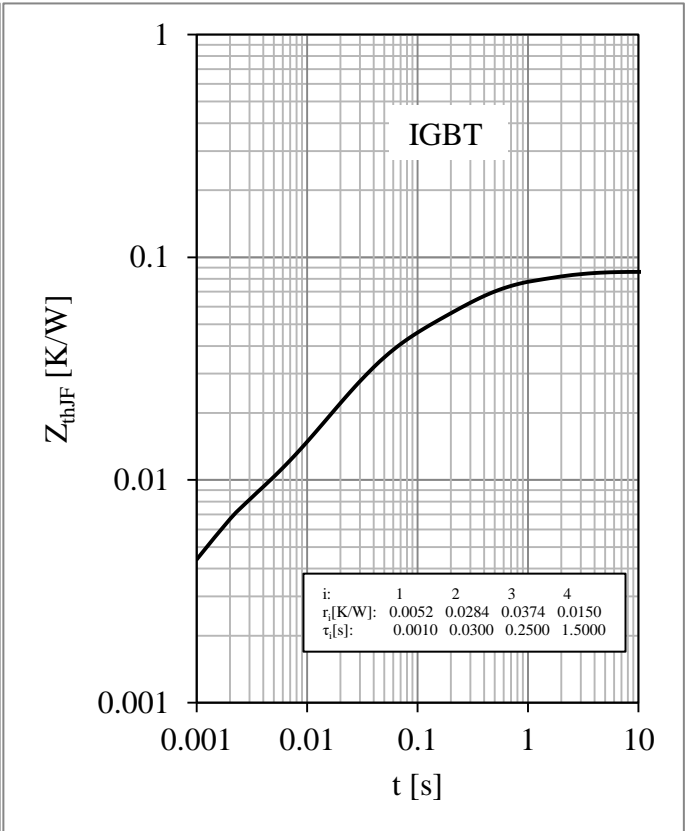


Fig 8. IGBT Transient Thermal Impedance

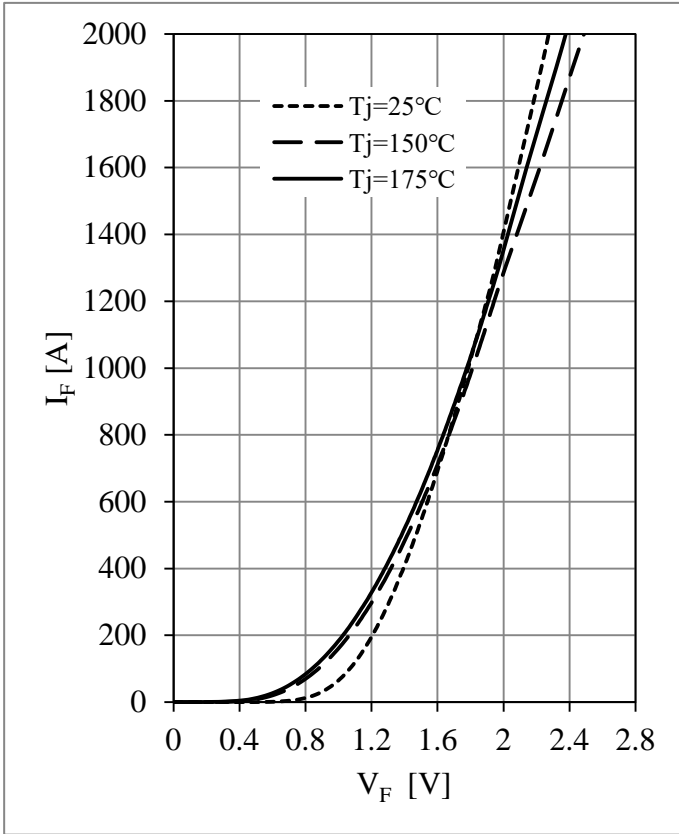


Fig 9. Diode Forward Characteristics

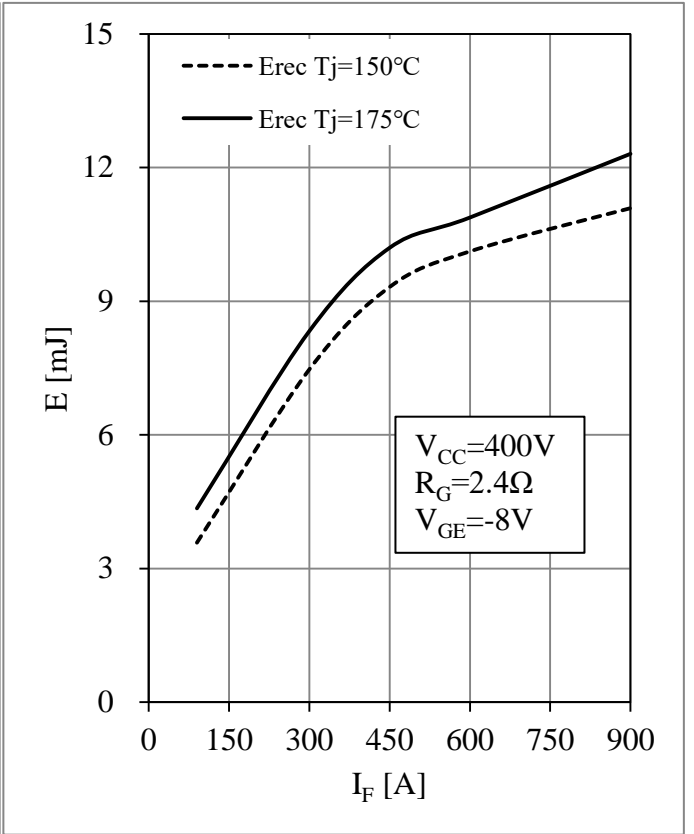


Fig 10. Diode Switching Loss vs. I_F

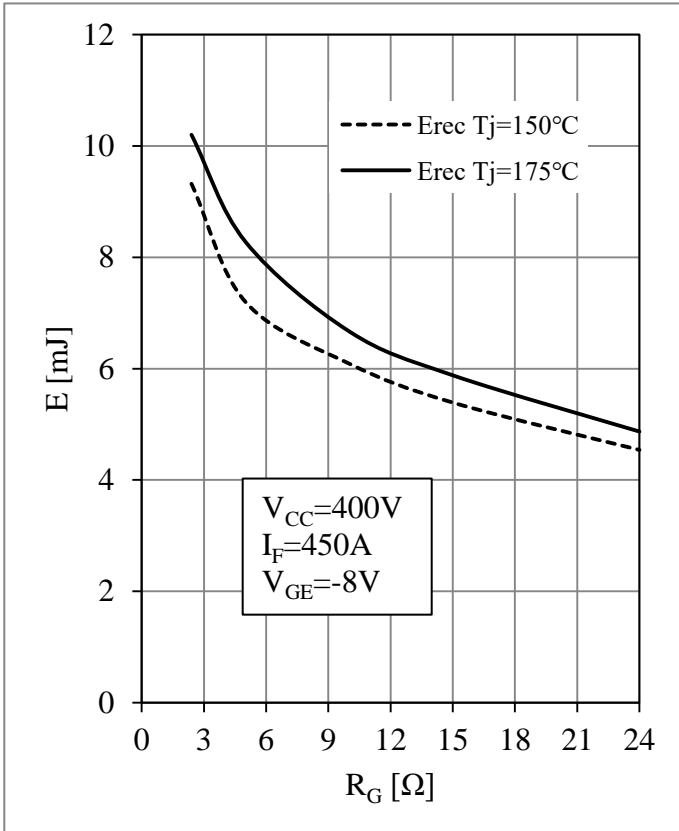


Fig 11. Diode Switching Loss vs. R_G

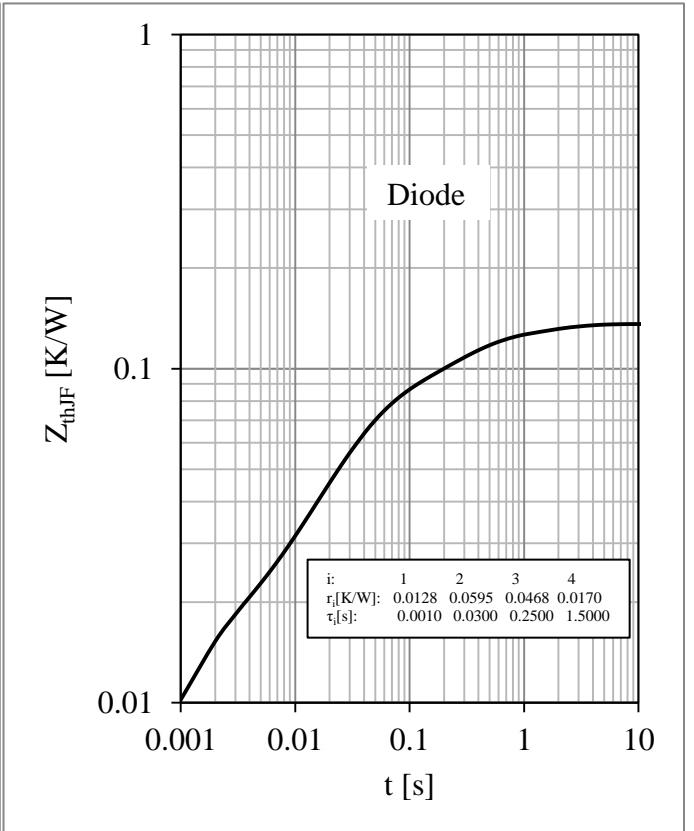


Fig 12. Diode Transient Thermal Impedance

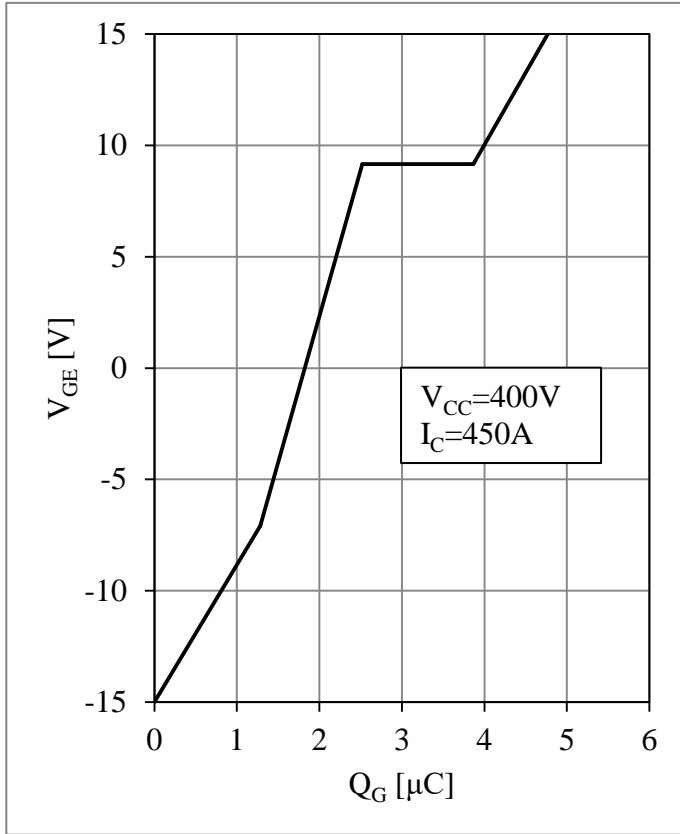


Fig 13. IGBT Gate Charge Characteristic

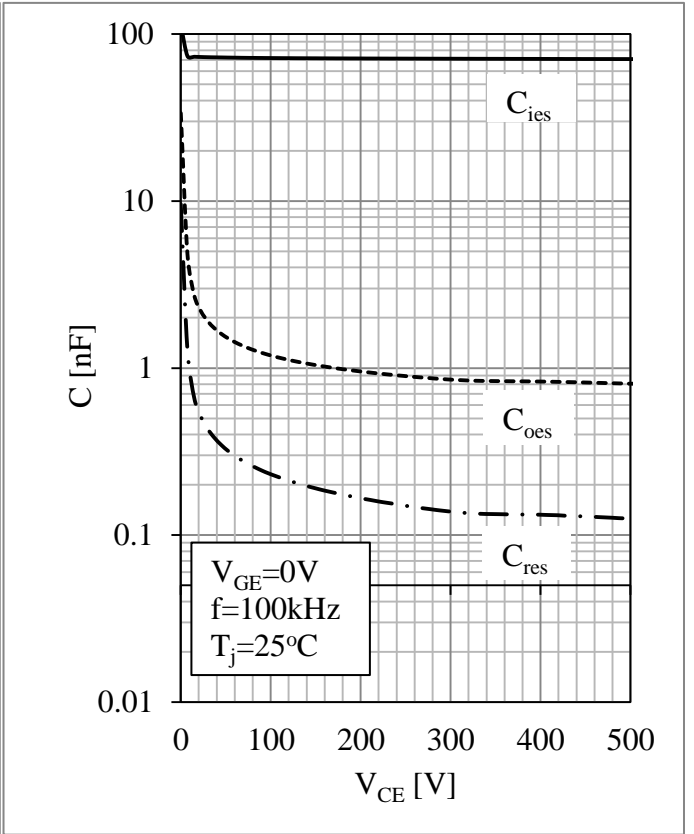


Fig 14. IGBT Capacity Characteristic

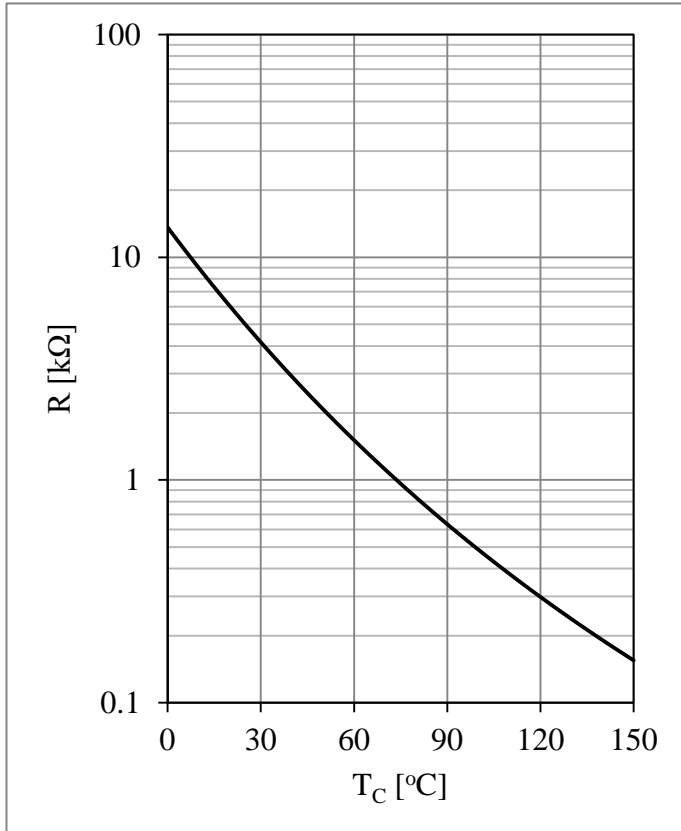
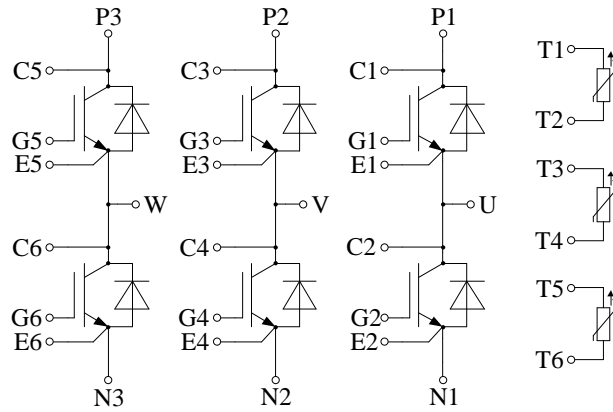


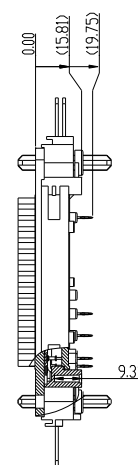
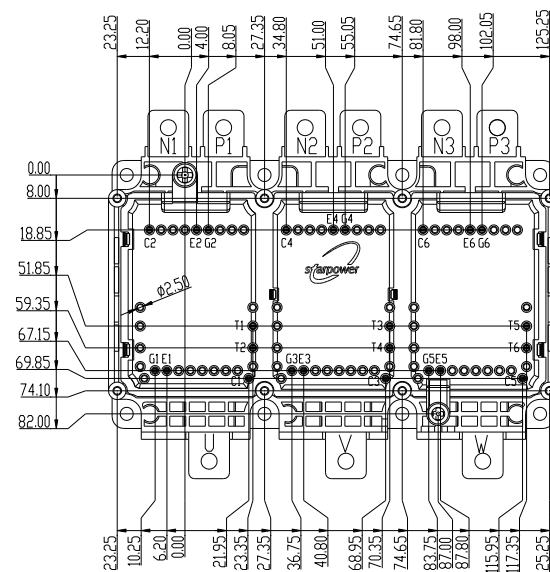
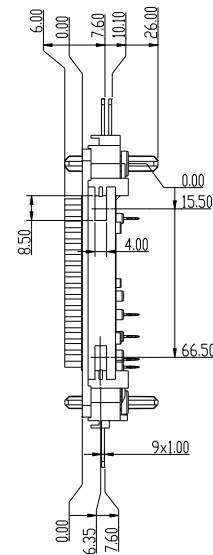
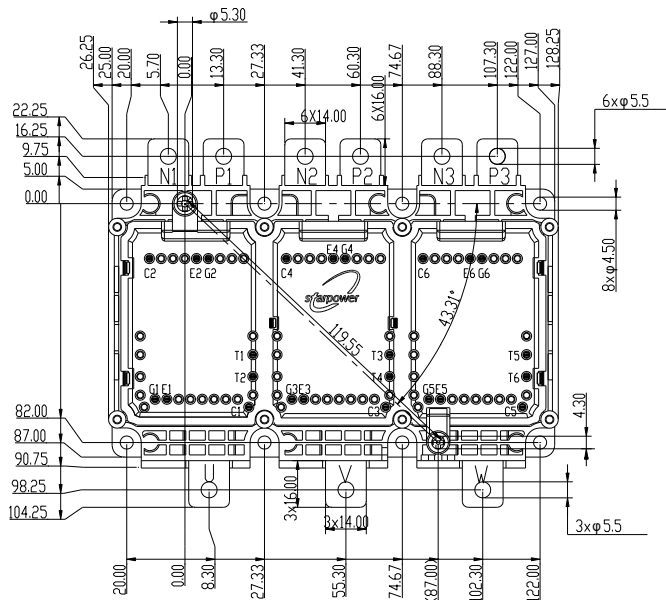
Fig 15. NTC Temperature Characteristic

Circuit Schematic



Package Dimensions

Dimensions in Millimeters



Terms and Conditions of Usage

The data contained in this product datasheet is exclusively intended for technically trained staff. you and your technical departments will have to evaluate the suitability of the product for the intended application and the completeness of the product data with respect to such application.

This product data sheet is describing the characteristics of this product for which a warranty is granted. Any such warranty is granted exclusively pursuant the terms and conditions of the supply agreement. There will be no guarantee of any kind for the product and its characteristics.

Should you require product information in excess of the data given in this product data sheet or which concerns the specific application of our product, please contact the sales office, which is responsible for you (see www.powersemi.cc), For those that are specifically interested we may provide application notes.

Due to technical requirements our product may contain dangerous substances. For information on the types in question please contact the sales office, which is responsible for you.

Should you intend to use the Product in aviation applications, in health or live endangering or life support applications, please notify.

If and to the extent necessary, please forward equivalent notices to your customers.
Changes of this product data sheet are reserved.